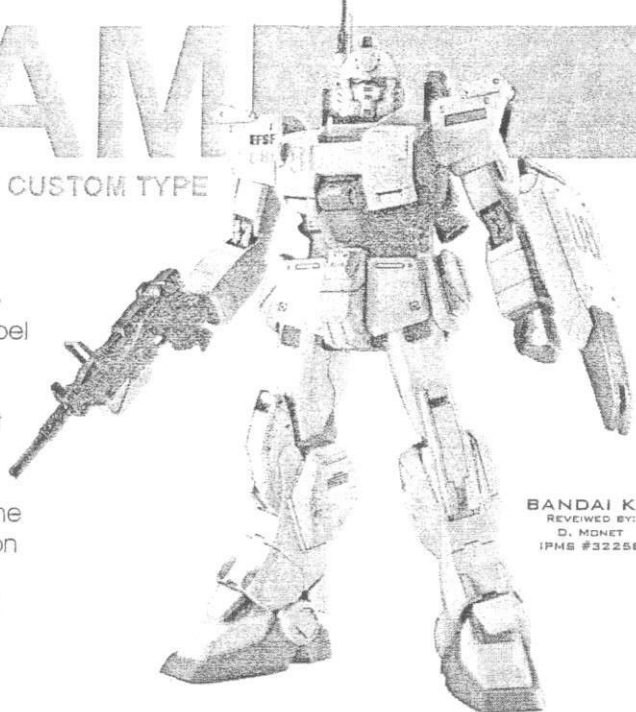


GUNDAM

E.F.S.F. FIRST PRODUCTION MOBILE SUIT CUSTOM TYPE

RX-79(G)Ez8

Whether you like Japanese anime or not, you have to admit, that regardless of the subject the gold label MG (Master Grade) Gundams are the best engineered model kits ever produced. When opening your first MG Gundam kit, you'll notice that great care was taken to pack the kit for shipping. Every sprue is separately wrapped, including the decals, which are actually dry transfers. The last time I saw dry transfers in a kit was the Star Trek the motion picture kit releases from 79. Did I just ghezze? Anyway, dry transfers are ok with me! I find them to be far less of a hassle than water slide decals, and they can be applied in a quarter of the time.



BANDAI KIT
REVIEWED BY:
D. MONET
IPMS #32258

The kit consist of 324 part on 15 sprues, with 24 parts not used on this variant. The Ez8 is extremely detailed even though it's in 1/100 scale. The kit depicts in 3d, both internal combat chassis aspects and external gundanium armor. The kit has 30+ points of articulation, that will allow the Gundam to be set in a wide range of poses. Almost all armor is removable, to show the internal workings of the gundam. Assembly of the Master Grade Gundams take a bit more time than the High Grade type. The reason for this is a matter of complexity, not a issue of poor fit. Terms like poor fit, flash, or sink hole can't be used anywhere to describe this kit, because this issues don't exist!

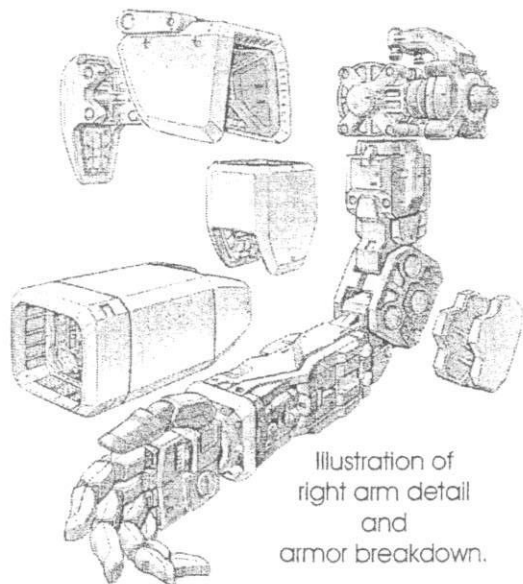


Illustration of
right arm detail
and
armor breakdown.

Most people consider the Gundam kits in a class with Snap kits, this is incorrect! It is true that the HG and MG kits don't require glue. Because of the extremely close tolerances and good fit of all parts, and the use of rubber fittings, glue becomes unnecessary. The kits are engineered so that all components fit externally along pre-designed panels in conjunction with the rubber fitting. Basically this means there are no seams to fill. All injection pin marks are hidden or cleverly disguised. As you know the kits are very popular with the kids (and big kids). Bandai took this into consideration and molded all of the combat chassis (the internal frame) in ABS plastic in order to make the kit durable enough for play.

If all kits, cars, planes, tanks, were made as well as the Master Grade Gundams, we would all probably get a lot more finished works. The drawback to such a masterfully done kit is the price, this kit retailed for \$70.00 here in the states. That means, sadly enough, that only big kids can afford them.